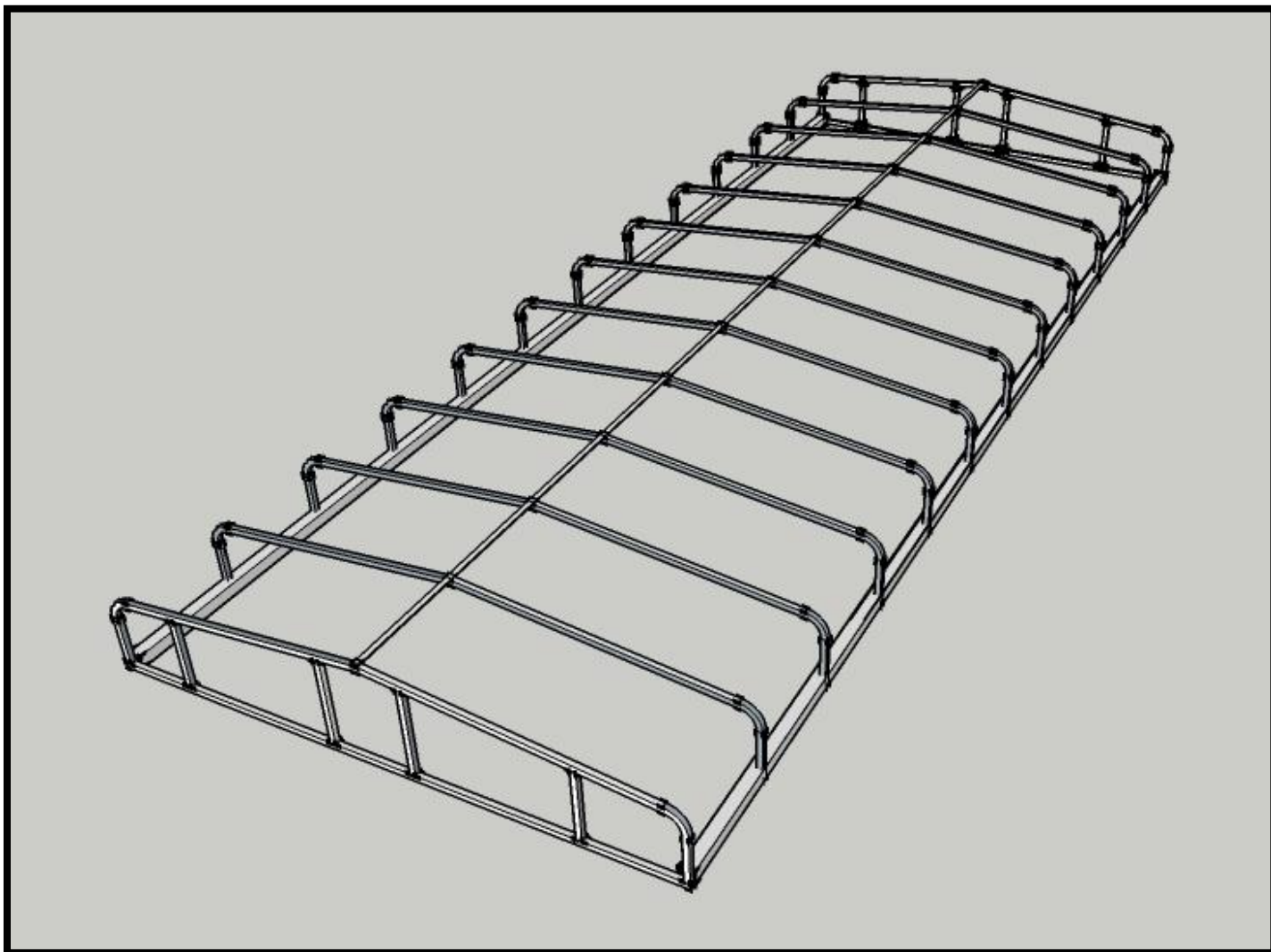
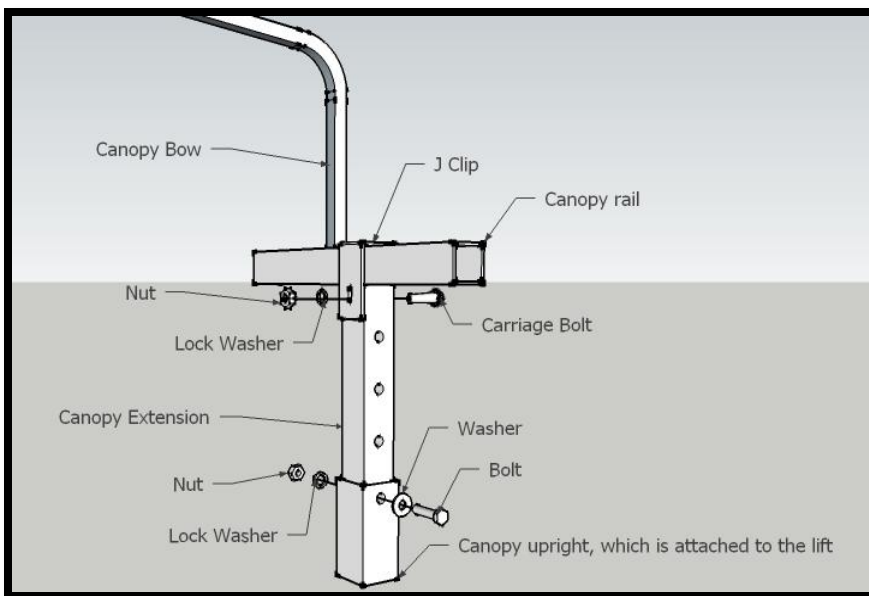
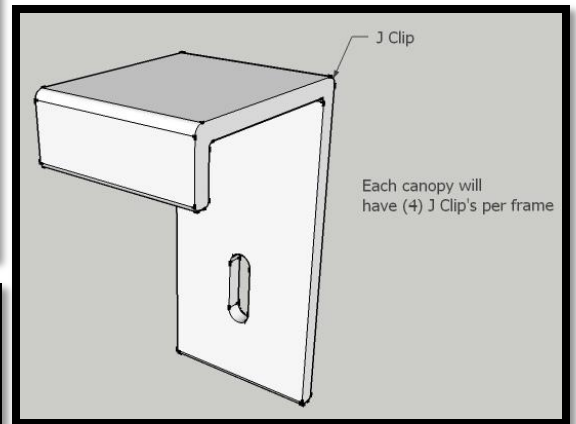
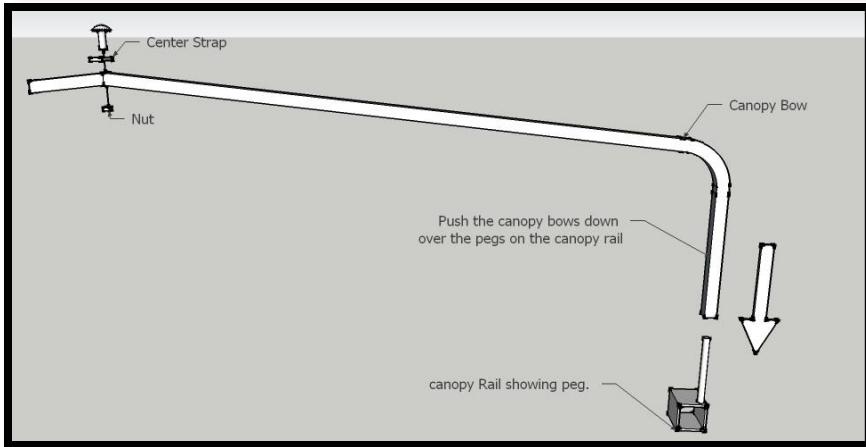
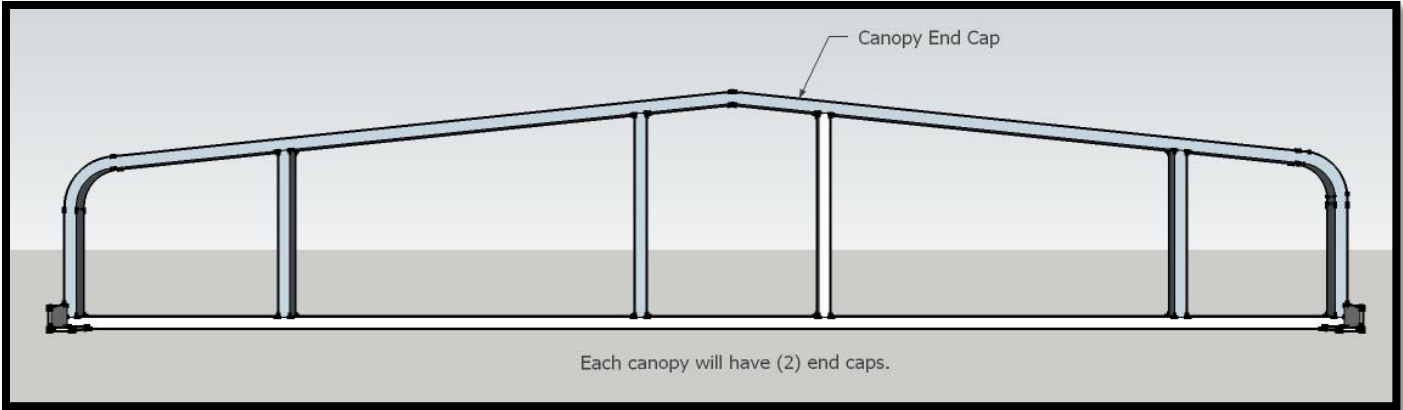
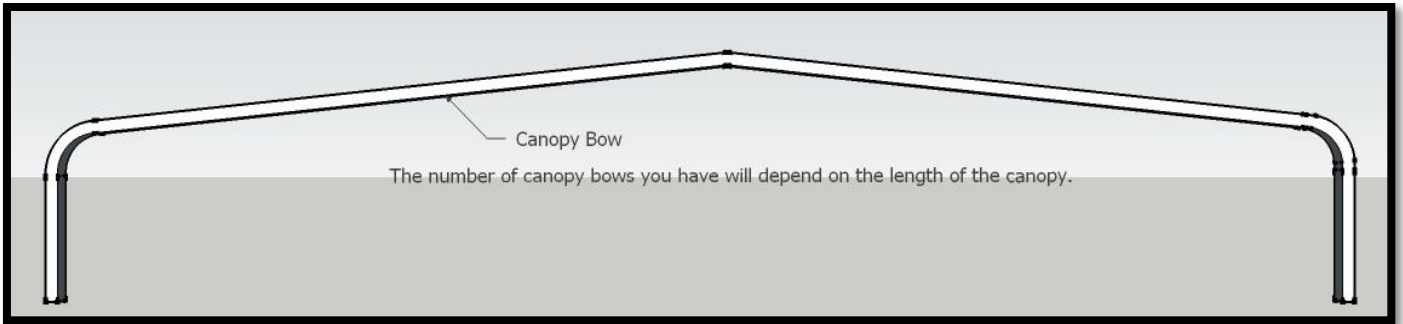


Canopy Assembly Manual



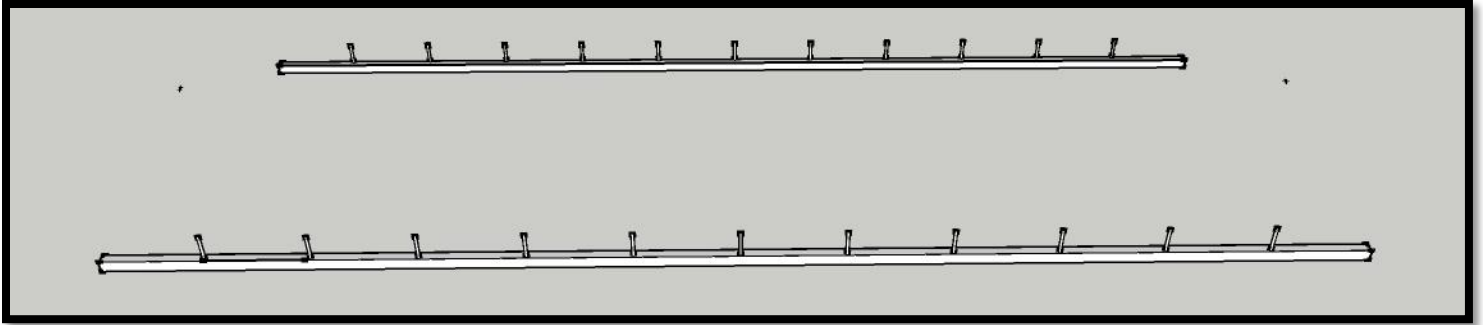
Canopy side rail lengths and the number of canopy bows will vary with the length of the Canopy. Position the support legs to adequately cover your boat.



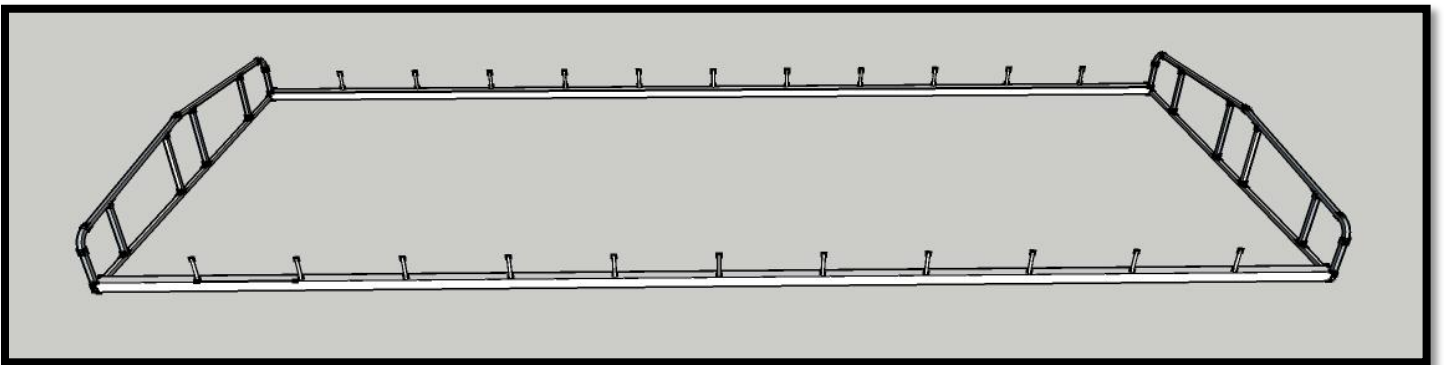
Position J Clip flat side towards the inside of Lift.

NOTE: One of the canopy extensions will have a long slot in it, that will be for the winch post.

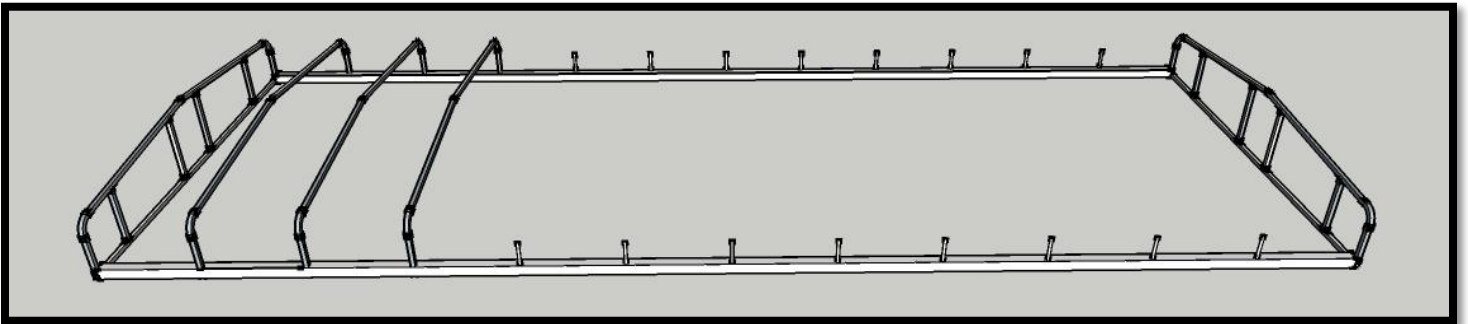
Step 1 – Lay out the canopy rails as pictured.



Step 2 – Slide in the end caps into the canopy rails. Then bolt them to the rails.



Step 3 – Push down the canopy bows on the pegs on the rail.



Step 4 – Lay the center strap on the top of the canopy bows. Bolt on the strap to each bow with pre-existing holes.

